

Presona SP Series Balers

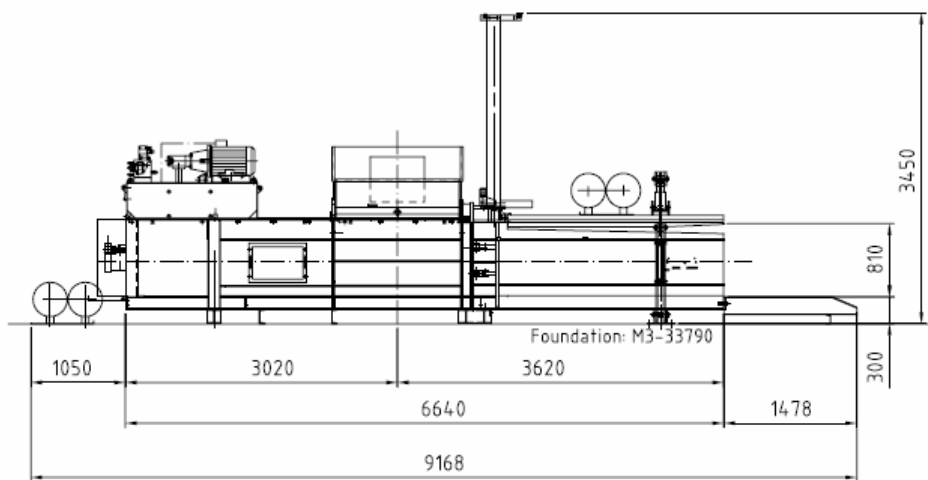


- The SP Series balers are suitable for printers, bookbinders, logistic and retail centres and other businesses requiring mill size bales of small quantities of material.
- The SP Series balers can be fed manually, or by means of a feeding conveyor or air feed for continuous operation. All equipped with Presona's well-tried and reliable tying system.

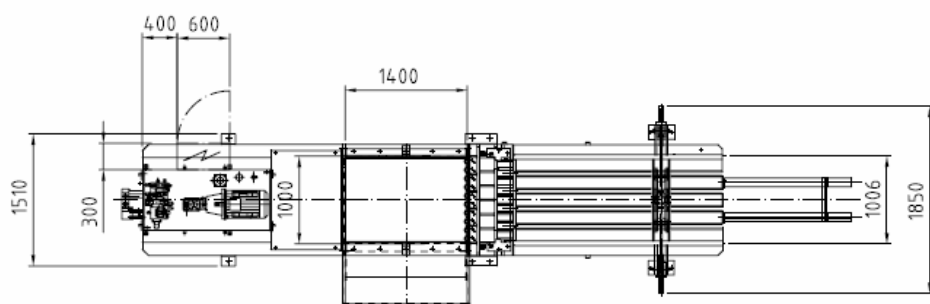
Technical Data		SP 5015	SP 5022	SP 6037
Max volume capacity	m ³ /h	100	135	260
Weight capacity	t/h	1,5 - 2,5	2 - 3	3 - 4
Feed opening L x W	mm	1400 x 1000	1400 x 1000	1550 x 1000
Bale size H x W (Length variable)	mm	800 x 1000	800 x 1000	800 x 1000
Bale weight OCC	kg/m ³	300 - 450	300 - 450	400 - 500
Bale weight plastic	kg/m ³	250 - 300	250 - 300	300 - 350
Press chamber volume	m ³	1,12	1,12	1,24
Press force	t	50	50	60
Specific pressure	N/cm ²	61	61	74
Max oil pressure	Bar	265	265	265
Oil tank capacity	Litres	400	500	1000
Electric motor	kW	15	22	37
Machine weight	t	~ 8,5	~ 9	~ 13

Performance rates and bale densities are subject to moisture, material pre-bale densities, feed rate and other variables when baling.

As part of our continuous product development, specifications are subject to change without notice.



SP 5015 & 5022



SP 6037

